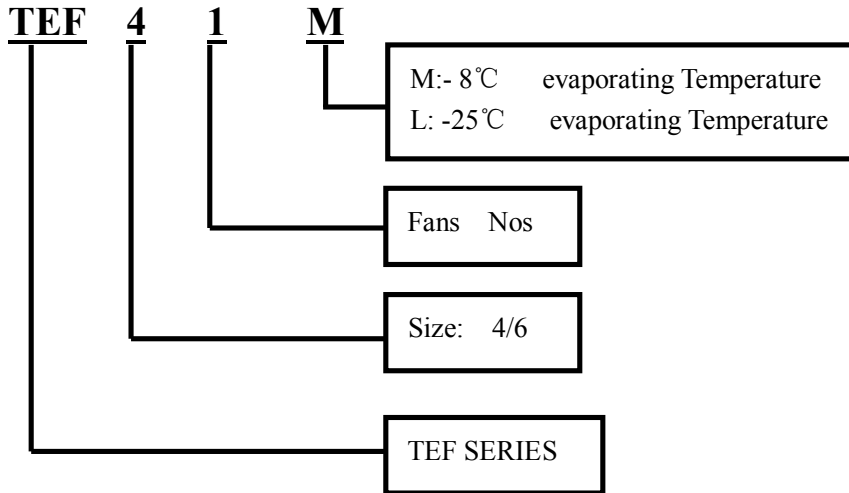


TEF series Evaporator





300MM Fan

Fin Space: 4.5mm

2.14KW

14.85KW

R404A

| Model | Capacity (KW) | Surface m ² | Air flow m ³ /h | Distance m | Pipe volume dm ³ | Connection | | Noise dB(A) | Fan motor (220V/50HZ) | | | | Electrical Defrost KW |
|--------|----------------------|------------------------|----------------------------|------------|-----------------------------|------------|--------|-------------|-----------------------|-------------|---------------|-----------|-----------------------|
| | T.Evap -8°C (ΔT=8°C) | | | | | Inlet | Outlet | | Qty x dia mm | Speed r/min | Input power W | Current A | |
| TEF41M | 2.14 | 8.2 | 1100 | 9 | 2 | 1/2" | 1/2" | 65 | 1x300 | 1380 | 1x90 | 0.43 | 1.25 |
| TEF61M | 2.73 | 12.2 | 1035 | 9 | 2.9 | 1/2" | 3/4" | 65 | 1x300 | 1380 | 1x90 | 0.43 | 1.25 |
| TEF42M | 4.28 | 16.4 | 2200 | 11 | 3.6 | 1/2" | 7/8" | 68 | 2x300 | 1380 | 2x90 | 0.43 | 2.2 |
| TEF62M | 5.16 | 24.4 | 2070 | 11 | 5.3 | 1/2" | 7/8" | 68 | 2x300 | 1380 | 2x90 | 0.43 | 2.2 |
| TEF43M | 6.42 | 24.6 | 3300 | 12 | 5.1 | 1/2" | 7/8" | 70 | 3x300 | 1380 | 3x90 | 0.43 | 3.2 |
| TEF63M | 7.69 | 36.6 | 3105 | 12 | 7.7 | 1/2" | 1-1/8" | 70 | 3x300 | 1380 | 3x90 | 0.43 | 3.2 |
| TEF44M | 8.56 | 32.8 | 4400 | 16 | 6.8 | 1/2" | 1-1/8" | 71 | 4x300 | 1380 | 4x90 | 0.43 | 4.18 |
| TEF64M | 10.12 | 48.8 | 4140 | 16 | 10.1 | 5/8" | 1-1/8" | 71 | 4x300 | 1380 | 4x90 | 0.43 | 4.18 |

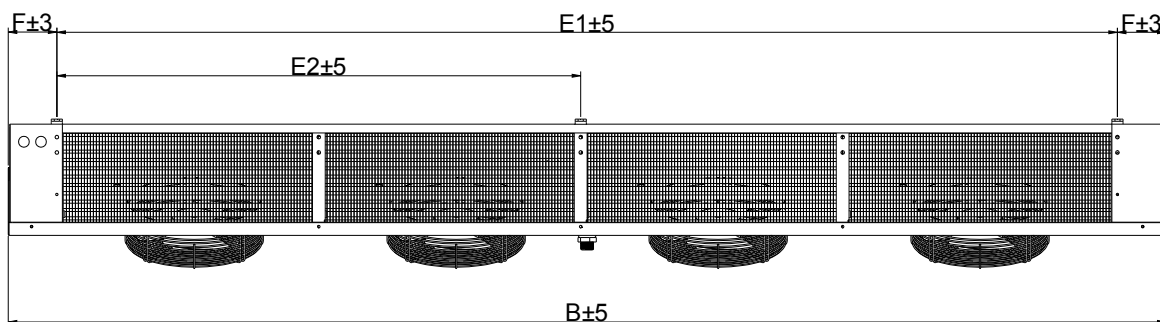
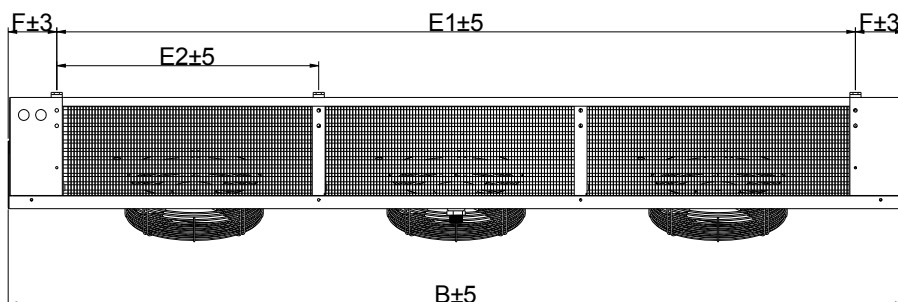
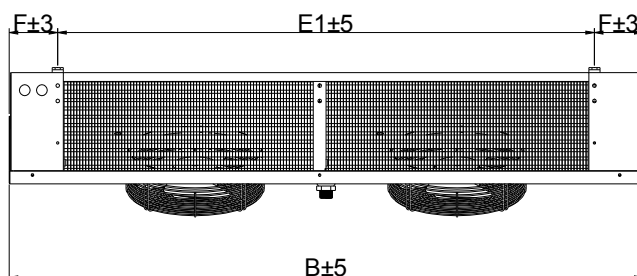
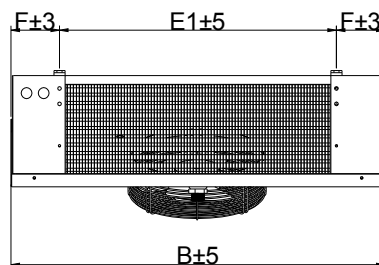
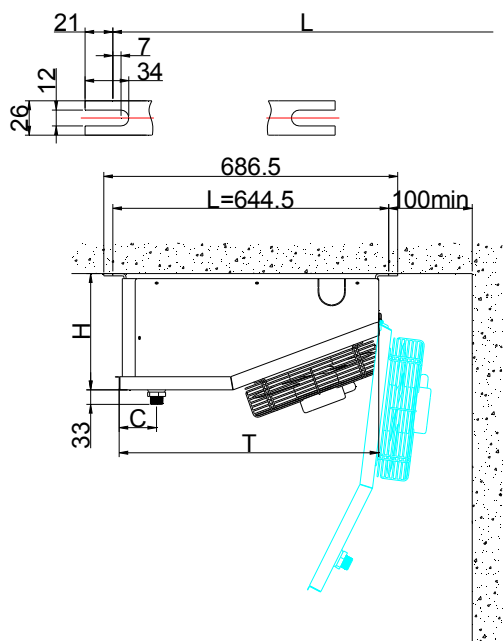
Fin Space: 7mm

1.45KW

8.76KW

R404A

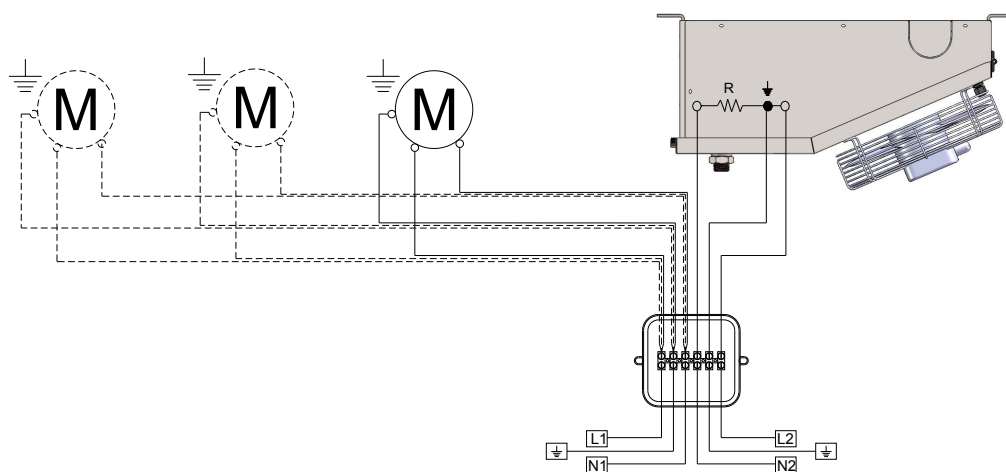
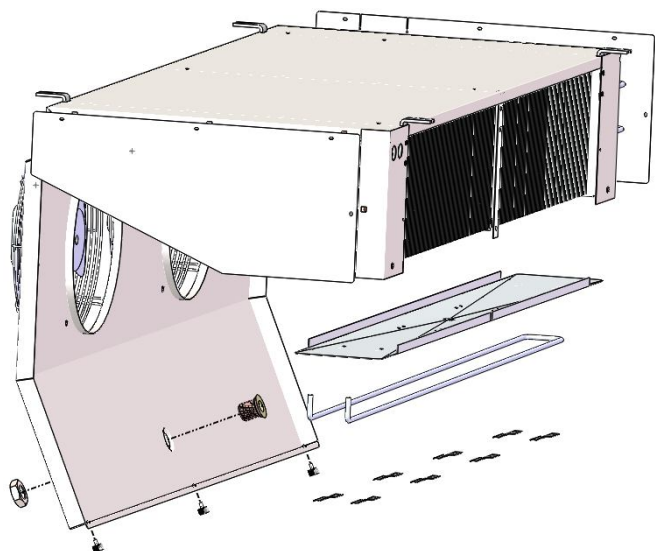
| Model | Capacity (KW) | Surface m ² | Air flow m ³ /h | Distance m | Pipe volume dm ³ | Connection | | Noise dB(A) | Fan motor (220V/50HZ) | | | | Electrical Defrost KW |
|--------|-----------------------|------------------------|----------------------------|------------|-----------------------------|------------|--------|-------------|-----------------------|-------------|---------------|-----------|-----------------------|
| | T.Evap -25°C (ΔT=7°C) | | | | | Inlet | Outlet | | Qty x Dia mm | Speed r/min | Input power W | Current A | |
| TEF41L | 1.45 | 5.5 | 1300 | 9 | 2 | 1/2" | 1/2" | 65 | 1x300 | 1380 | 1x90 | 0.43 | 1.25 |
| TEF61L | 1.95 | 8.2 | 1130 | 9 | 2.9 | 1/2" | 3/4" | 65 | 1x300 | 1380 | 1x90 | 0.43 | 1.25 |
| TEF42L | 2.89 | 11 | 2600 | 11 | 3.6 | 1/2" | 7/8" | 68 | 2x300 | 1380 | 2x90 | 0.43 | 2.2 |
| TEF62L | 3.6 | 16.4 | 2260 | 11 | 5.3 | 1/2" | 7/8" | 68 | 2x300 | 1380 | 2x90 | 0.43 | 2.2 |
| TEF43L | 4.34 | 16.5 | 3900 | 12 | 5.1 | 1/2" | 7/8" | 70 | 3x300 | 1380 | 3x90 | 0.43 | 3.2 |
| TEF63L | 5.35 | 24.6 | 3390 | 12 | 7.7 | 1/2" | 1-1/8" | 70 | 3x300 | 1380 | 3x90 | 0.43 | 3.2 |
| TEF44L | 5.78 | 22 | 5200 | 16 | 6.8 | 1/2" | 1-1/8" | 71 | 4x300 | 1380 | 4x90 | 0.43 | 4.18 |
| TEF64L | 7.00 | 32.8 | 4520 | 16 | 10.1 | 5/8" | 1-1/8" | 71 | 4x300 | 1380 | 4x90 | 0.43 | 4.18 |



| Model | Size (mm) | | | | | | | |
|-------|-----------|------|-------|-------|------|------|-------|-------|
| | H | B | T | L | E1 | E2 | F | C |
| TEF41 | 264 | 874 | 607.5 | 644.5 | 647 | — | 113.5 | 87.5 |
| TEF61 | 264 | 874 | 607.5 | 644.5 | 647 | — | 113.5 | 120.5 |
| TEF42 | 264 | 1481 | 607.5 | 644.5 | 1254 | — | 113.5 | 87.5 |
| TEF62 | 264 | 1481 | 607.5 | 644.5 | 1254 | — | 113.5 | 120.5 |
| TEF43 | 264 | 2093 | 607.5 | 644.5 | 1866 | 612 | 113.5 | 87.5 |
| TEF63 | 264 | 2093 | 607.5 | 644.5 | 1866 | 612 | 113.5 | 120.5 |
| TEF44 | 264 | 2705 | 607.5 | 644.5 | 2478 | 1224 | 113.5 | 87.5 |
| TEF64 | 264 | 2705 | 607.5 | 644.5 | 2478 | 1224 | 113.5 | 120.5 |

| | | | | | | | |
|--------|--------------|-------|-------|-------|-------|-------|-------|
| TEF41M | T. room | -10°C | -5°C | 0°C | 2°C | 5°C | 10°C |
| | ΔT 10 (watt) | 2461 | 2568 | 2675 | 2782 | 3107 | 3107 |
| | ΔT 9 (watt) | 2211 | 2309 | 2408 | 2605 | 2803 | 2803 |
| | ΔT 8 (watt) | 1962 | 2051 | 2140 | 2322 | 2504 | 2504 |
| | ΔT 7 (watt) | 1712 | 1792 | 1873 | 1937 | 2215 | 2215 |
| | ΔT 6 (watt) | 1474 | 1540 | 1605 | 1766 | 1926 | 1926 |
| TEF61M | T. room | -10°C | -5°C | 0°C | 2°C | 5°C | 10°C |
| | ΔT 10 (watt) | 3140 | 3276 | 3413 | 3549 | 3964 | 3964 |
| | ΔT 9 (watt) | 2820 | 2946 | 3071 | 3324 | 3576 | 3576 |
| | ΔT 8 (watt) | 2503 | 2617 | 2730 | 2962 | 3194 | 3194 |
| | ΔT 7 (watt) | 2184 | 2286 | 2389 | 2471 | 2826 | 2826 |
| | ΔT 6 (watt) | 1881 | 1964 | 2048 | 2252 | 2457 | 2457 |
| TEF42M | T. room | -10°C | -5°C | 0°C | 2°C | 5°C | 10°C |
| | ΔT 10 (watt) | 4922 | 5136 | 5350 | 5564 | 6215 | 6215 |
| | ΔT 9 (watt) | 4421 | 4618 | 4815 | 5211 | 5607 | 5607 |
| | ΔT 8 (watt) | 3925 | 4102 | 4280 | 4644 | 5008 | 5008 |
| | ΔT 7 (watt) | 3424 | 3585 | 3745 | 3873 | 4430 | 4430 |
| | ΔT 6 (watt) | 2949 | 3079 | 3210 | 3531 | 3852 | 3852 |
| TEF62M | T. room | -10°C | -5°C | 0°C | 2°C | 5°C | 10°C |
| | ΔT 10 (watt) | 5934 | 6192 | 6450 | 6708 | 7492 | 7492 |
| | ΔT 9 (watt) | 5330 | 5568 | 5805 | 6282 | 6760 | 6760 |
| | ΔT 8 (watt) | 4732 | 4946 | 5160 | 5599 | 6037 | 6037 |
| | ΔT 7 (watt) | 4128 | 4322 | 4515 | 4670 | 5341 | 5341 |
| | ΔT 6 (watt) | 3555 | 3713 | 3870 | 4257 | 4644 | 4644 |
| TEF43M | T. room | -10°C | -5°C | 0°C | 2°C | 5°C | 10°C |
| | ΔT 10 (watt) | 7383 | 7704 | 8025 | 8346 | 9322 | 9322 |
| | ΔT 9 (watt) | 6632 | 6927 | 7223 | 7816 | 8410 | 8410 |
| | ΔT 8 (watt) | 5887 | 6154 | 6420 | 6966 | 7511 | 7511 |
| | ΔT 7 (watt) | 5136 | 5377 | 5618 | 5810 | 6645 | 6645 |
| | ΔT 6 (watt) | 4423 | 4619 | 4815 | 5297 | 5778 | 5778 |
| TEF63M | T. room | -10°C | -5°C | 0°C | 2°C | 5°C | 10°C |
| | ΔT 10 (watt) | 8844 | 9228 | 9613 | 9997 | 11166 | 11166 |
| | ΔT 9 (watt) | 7944 | 8298 | 8651 | 9363 | 10074 | 10074 |
| | ΔT 8 (watt) | 7052 | 7371 | 7690 | 8344 | 8997 | 8997 |
| | ΔT 7 (watt) | 6152 | 6440 | 6729 | 6959 | 7959 | 7959 |
| | ΔT 6 (watt) | 5298 | 5533 | 5768 | 6344 | 6921 | 6921 |
| TEF44M | T. room | -10°C | -5°C | 0°C | 2°C | 5°C | 10°C |
| | ΔT 10 (watt) | 9844 | 10272 | 10700 | 11128 | 12429 | 12429 |
| | ΔT 9 (watt) | 8842 | 9236 | 9630 | 10422 | 11214 | 11214 |
| | ΔT 8 (watt) | 7850 | 8205 | 8560 | 9288 | 10015 | 10015 |
| | ΔT 7 (watt) | 6848 | 7169 | 7490 | 7747 | 8860 | 8860 |
| | ΔT 6 (watt) | 5898 | 6159 | 6420 | 7062 | 7704 | 7704 |
| TEF64M | T. room | -10°C | -5°C | 0°C | 2°C | 5°C | 10°C |
| | ΔT 10 (watt) | 11638 | 12144 | 12650 | 13156 | 14694 | 14694 |
| | ΔT 9 (watt) | 10454 | 10919 | 11385 | 12321 | 13257 | 13257 |
| | ΔT 8 (watt) | 9280 | 9700 | 10120 | 10980 | 11840 | 11840 |
| | ΔT 7 (watt) | 8096 | 8476 | 8855 | 9159 | 10474 | 10474 |
| | ΔT 6 (watt) | 6973 | 7281 | 7590 | 8349 | 9108 | 9108 |

| | | | | | | | | | |
|--------|--------------|-------|-------|-------|-------|-------|-------|-------|-------|
| TEF41L | T. room | -25°C | -20°C | -18°C | -15°C | -10°C | -5°C | 0°C | 5°C |
| | ΔT 10 (watt) | 1827 | 1900 | 1936 | 1972 | 2045 | 2117 | 2190 | 2443 |
| | ΔT 9 (watt) | 1676 | 1743 | 1776 | 1809 | 1875 | 1942 | 2008 | 2278 |
| | ΔT 8 (watt) | 1525 | 1586 | 1615 | 1646 | 1706 | 1767 | 1827 | 2074 |
| | ΔT 7 (watt) | 1375 | 1429 | 1450 | 1483 | 1537 | 1592 | 1646 | 1878 |
| | ΔT 6 (watt) | 1243 | 1287 | 1309 | 1331 | 1376 | 1420 | 1465 | 1682 |
| TEF61L | T. room | -25°C | -20°C | -18°C | -15°C | -10°C | -5°C | 0°C | 5°C |
| | ΔT 10 (watt) | 2457 | 2555 | 2603 | 2652 | 2750 | 2847 | 2945 | 3286 |
| | ΔT 9 (watt) | 2254 | 2344 | 2389 | 2433 | 2522 | 2611 | 2701 | 3063 |
| | ΔT 8 (watt) | 2051 | 2133 | 2172 | 2214 | 2295 | 2376 | 2457 | 2789 |
| | ΔT 7 (watt) | 1849 | 1922 | 1950 | 1994 | 2067 | 2140 | 2213 | 2525 |
| | ΔT 6 (watt) | 1671 | 1731 | 1761 | 1790 | 1850 | 1910 | 1970 | 2262 |
| TEF42L | T. room | -25°C | -20°C | -18°C | -15°C | -10°C | -5°C | 0°C | 5°C |
| | ΔT 10 (watt) | 3641 | 3786 | 3858 | 3930 | 4075 | 4219 | 4364 | 4870 |
| | ΔT 9 (watt) | 3341 | 3473 | 3540 | 3606 | 3738 | 3870 | 4003 | 4540 |
| | ΔT 8 (watt) | 3040 | 3161 | 3219 | 3281 | 3401 | 3521 | 3641 | 4133 |
| | ΔT 7 (watt) | 2740 | 2848 | 2890 | 2956 | 3064 | 3172 | 3280 | 3743 |
| | ΔT 6 (watt) | 2477 | 2565 | 2610 | 2654 | 2742 | 2830 | 2919 | 3352 |
| TEF62L | T. room | -25°C | -20°C | -18°C | -15°C | -10°C | -5°C | 0°C | 5°C |
| | ΔT 10 (watt) | 4536 | 4716 | 4806 | 4896 | 5076 | 5256 | 5436 | 6066 |
| | ΔT 9 (watt) | 4162 | 4326 | 4410 | 4491 | 4656 | 4821 | 4986 | 5656 |
| | ΔT 8 (watt) | 3787 | 3937 | 4010 | 4087 | 4236 | 4386 | 4536 | 5148 |
| | ΔT 7 (watt) | 3413 | 3547 | 3600 | 3682 | 3817 | 3951 | 4086 | 4662 |
| | ΔT 6 (watt) | 3085 | 3195 | 3251 | 3306 | 3416 | 3526 | 3636 | 4176 |
| TEF43L | T. room | -25°C | -20°C | -18°C | -15°C | -10°C | -5°C | 0°C | 5°C |
| | ΔT 10 (watt) | 5468 | 5685 | 5794 | 5902 | 6119 | 6336 | 6553 | 7313 |
| | ΔT 9 (watt) | 5017 | 5216 | 5317 | 5415 | 5613 | 5812 | 6011 | 6818 |
| | ΔT 8 (watt) | 4566 | 4746 | 4835 | 4927 | 5107 | 5288 | 5468 | 6206 |
| | ΔT 7 (watt) | 4114 | 4277 | 4340 | 4439 | 4601 | 4764 | 4926 | 5620 |
| | ΔT 6 (watt) | 3719 | 3852 | 3919 | 3985 | 4118 | 4251 | 4383 | 5034 |
| TEF63L | T. room | -25°C | -20°C | -18°C | -15°C | -10°C | -5°C | 0°C | 5°C |
| | ΔT 10 (watt) | 6741 | 7009 | 7142 | 7276 | 7544 | 7811 | 8079 | 9015 |
| | ΔT 9 (watt) | 6185 | 6430 | 6554 | 6675 | 6920 | 7165 | 7410 | 8405 |
| | ΔT 8 (watt) | 5628 | 5851 | 5960 | 6073 | 6296 | 6518 | 6741 | 7651 |
| | ΔT 7 (watt) | 5072 | 5272 | 5350 | 5472 | 5672 | 5872 | 6072 | 6928 |
| | ΔT 6 (watt) | 4585 | 4749 | 4831 | 4912 | 5076 | 5240 | 5404 | 6206 |
| TEF44L | T. room | -25°C | -20°C | -18°C | -15°C | -10°C | -5°C | 0°C | 5°C |
| | ΔT 10 (watt) | 7283 | 7572 | 7716 | 7861 | 8150 | 8439 | 8728 | 9739 |
| | ΔT 9 (watt) | 6682 | 6946 | 7081 | 7211 | 7476 | 7741 | 8005 | 9080 |
| | ΔT 8 (watt) | 6081 | 6321 | 6439 | 6561 | 6802 | 7042 | 7283 | 8265 |
| | ΔT 7 (watt) | 5479 | 5696 | 5780 | 5912 | 6128 | 6344 | 6560 | 7485 |
| | ΔT 6 (watt) | 4953 | 5130 | 5219 | 5307 | 5484 | 5661 | 5838 | 6705 |
| TEF64L | T. room | -25°C | -20°C | -18°C | -15°C | -10°C | -5°C | 0°C | 5°C |
| | ΔT 10 (watt) | 8820 | 9170 | 9345 | 9520 | 9870 | 10220 | 10570 | 11795 |
| | ΔT 9 (watt) | 8092 | 8413 | 8575 | 8733 | 9054 | 9374 | 9695 | 10997 |
| | ΔT 8 (watt) | 7364 | 7655 | 7798 | 7946 | 8238 | 8529 | 8820 | 10010 |
| | ΔT 7 (watt) | 6636 | 6898 | 7000 | 7160 | 7421 | 7683 | 7945 | 9065 |
| | ΔT 6 (watt) | 5999 | 6213 | 6321 | 6427 | 6642 | 6856 | 7070 | 8120 |



Packing size

| MODEL | LENGTH | WIDTH | HEIGHT |
|-------|--------|-------|--------|
| TEF41 | 940 | 740 | 410 |
| TEF61 | 940 | 740 | 410 |
| TEF42 | 1540 | 740 | 410 |
| TEF62 | 1540 | 740 | 410 |
| TEF43 | 2160 | 740 | 410 |
| TEF63 | 2160 | 740 | 410 |
| TEF44 | 2770 | 740 | 410 |
| TEF64 | 2770 | 740 | 410 |